



Dead Weight Thief Hatches Models A, A-L, 110-PO & 200

The Model A and 110-PO are dead weight pressure relief gauge and thief hatches with round 8" nominal diameter API bases. The Model A also provides vacuum relief capacity.

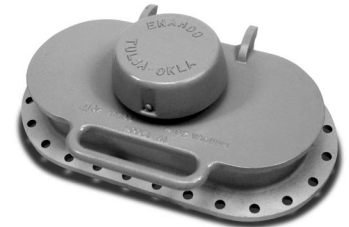
The Model A-L and 200 are dead weight pressure-vacuum relief gauge and thief hatches with (8"x18") and (8"x22") oblong API bases, respectively.

When excessive pressure builds within the storage tank the vent's hinged cover begins to open at the predetermined set pressure, relieving excess pressure. When the over pressure has dissipated the cover reseats onto the base. The hinge mechanism prevents misalignment and provides an accurate reseal.

When excessive vacuum builds within the storage tank the spring loaded pallet lifts, breaking the seal between the seat and pallet, allowing vapors to pass through the valve orifice relieving the vacuum buildup. The vacuum valve reseals upon relief and remains sealed.



Model A



Model A-L



Model 110-PO



Model 200

Features and Benefits

- Full opening lid design for higher venting capacity requirements
- Field replaceable gaskets without the need of special tools or complex procedures
- Optional gasket materials available for "Sour Gas" or corrosive applications
- Non-Corrosive coating option for extremely harsh environments
- Certified flow capacities in accordance with API

Valve Setting Range

Model Numbers	Sizes Available	Pressure	Vacuum
Model A	8" API	2, 4, 6 oz/in ²	0.4 oz/in ²
Model A-L	8" x 18" API	2, 3, 4, 6 oz/in ²	0.4 oz/in ²
Model 110-PO	8" API	1, 2 oz/in ²	NA
Model 200	8" x 22" API	1, 2, 3, 4, 6 oz/in ²	0.4 oz/in ²

Materials of Construction

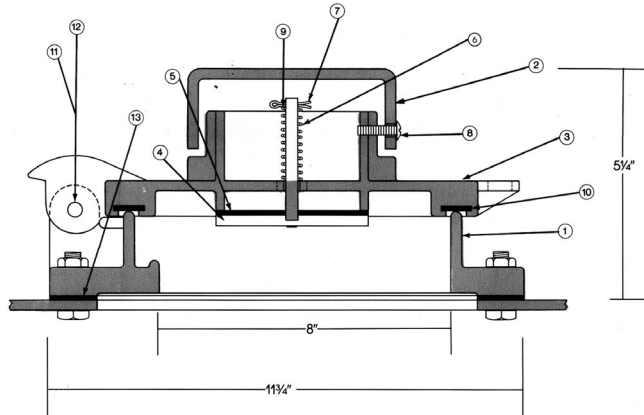
Housing	Lid	P/V Gasket	Hardware	Vacuum Pallet	Vacuum Spring
Aluminum	Aluminum Ductile Iron	Buna-N Viton	Zinc Plated C.S.	Aluminum	Zinc Plated C.S.



ENARDO Hatches

Dead Weight Thief Hatches Models A and A-L

Model A Dimensions

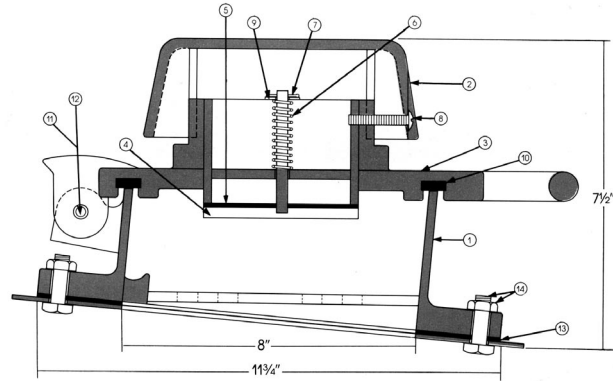


MODEL A

Ref.	Part No.	Part Name	Material	Quan.
1	11	Base	Aluminum	1
*1	WN	Base	Steel	1
2	A101-2	Cap	Cast Iron	1
3	A102-2	Center 2 oz.	Cast Aluminum	1
*3	A102	Center 4 oz., 6 oz.	Cast Iron	1
4	A103	Vacuum Disc	Cast Aluminum	1
5	A104	Vacuum Gasket	Buna N	1
*5	A104V	Vacuum Gasket	Viton	1
6	A105	Vacuum Disc Spring	Stainless Steel	1
7	A106	Cotter Key	Plated	1
8	A107	Cap Set Screw	Plated	1
9	A108	Washer	Plated	1
10	10G	Pressure Gasket	Sp. Neop.	1
*10	110-GV	Pressure Gasket	Sponge Viton	1
11	5-K	Hinge Pin	CRS Plated	1
12	HPC-148	Hinge Pin Clip	Plated	2
*13	110-BG	Base Gasket	Tank Packing	1
*14	1/2-13x11/2	Bolt, Hex	Pltd.	16
*14	1/2-13	Nut, Hex	Pltd.	16

*Optional—Furnished upon request only.

Model A-L Dimensions



MODEL A-L

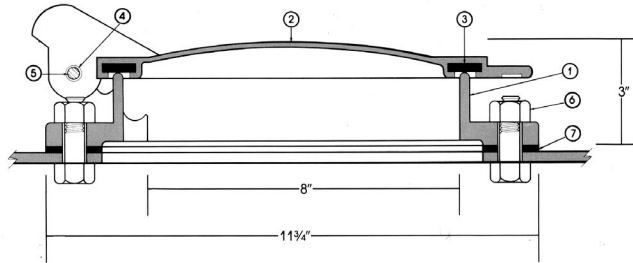
Ref.	Part No.	Part Name	Material	Quan.
1	1A	Base	Aluminum	1
2	A111	Cap	Cast Iron	1
3	A112	Center 2 oz.	Cast Iron	1
*3	A114	Center 4 oz.	Cast Iron	1
4	A103	Vacuum Disc	Cast Aluminum	1
5	A104	Vacuum Gasket	Buna N	1
*5	A104V	Vacuum Gasket	Viton	1
6	A105	Vac. Disc Spring	S.S.	1
7	A106	Cotter Key	Pltd.	1
8	A107	Cap Set Screw	Pltd.	1
9	A108	Washer	Pltd.	1
10	10G	Pressure Gasket	Sp. Neop.	1
*10	10GV	Pressure Gasket	Sp. Viton	1
11	5	Hinge Pin	CRS Pltd.	1
12	HPC-148	Hinge Pin Clip	Pltd.	2
*13	AL-BG	Base Gasket	Tank Packing	1
*14	1/2-13-1-1/2	Bolt Hex	Pltd	26
*14	1/2-13	Nut. Hex	Pltd.	26

*Optional—Furnished upon request only.



Dead Weight Thief Hatches Models 110-PO and 200

Model 110-PO Dimensions

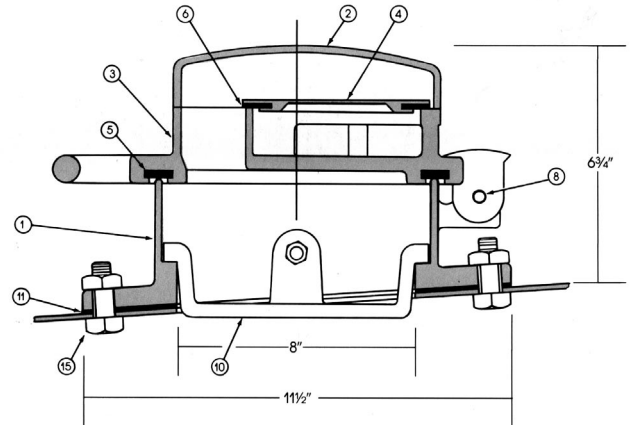


MODEL 110-PO

Ref.	Part No.	Part Name	Material	Quan.
1	11	Base	Aluminum	1
2	13A	Lid, 1 oz.	Cast Aluminum	1
+2	13	Lid, 2 oz.	Cast Iron	1
3	110G	Pressure Gasket	Sponge Neoprene	1
4	5K	Hinge Pin	CRS Pltd.	1
5	HCP-148	Hinge Pin Clip	Pltd.	2
+6	1/2-13 x 1-1/2	Bolt, Hex	Pltd.	16
+6	1/2-13	Nut, Hex	Pltd.	16
+7	110-BG	Base Gasket	Tank Packing	1

*Furnished upon request only.

Model 200 Dimensions



MODEL 200

Ref.	Part No.	Part Name	Material	Quan.
1	21	Base	Aluminum	1
2	3	Cap	Cast Aluminum	1
3	22	Center, 2 oz.	Cast Iron	1
+3	22A	Center, 1 oz.	Cast Aluminum	1
+3	22-W-4	Center weight 4 oz.	Cast Iron	2
4	4	Vacuum Disc	Cast Aluminum	1
*4	4P	Vacuum Disc	Phenolic	1
5	200G	Pressure Gasket	Sponge Neoprene	1
6	4G	Vacuum Gasket	Buna N	1
8	5	Hinge Pin	CRS Pltd.	1
+11	200 BG	Base Gasket	Tank Packing	1
12	10-24	Machine Screw, R.H.	Pltd.	4
14	HCP-148	Hinge Pin Clip	Pltd.	2
+15	1/2-13	Bolt, Hex	Pltd.	30
+15	1/2-13	Nut, Hex	Pltd.	30

*Plastic Trim Series

+ Furnished upon request only GTHV-16