



Model 330 and 330-L Thief Hatches

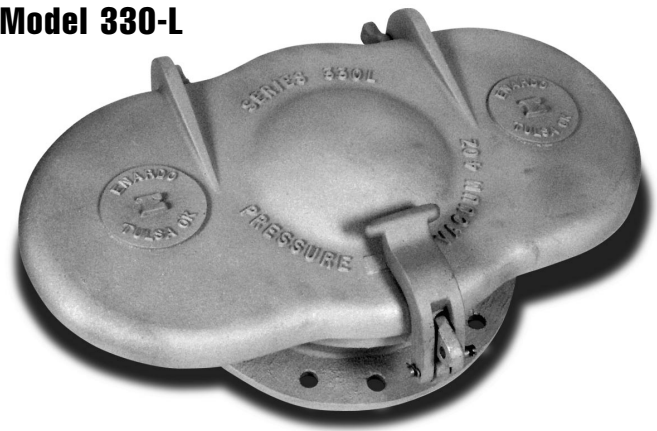
The Model 330 is a spring loaded pressure-vacuum relief hatch with a round base and cover. This hatch was specifically designed to meet the demand for a lightweight and inexpensive thief hatch; It is designed for storage applications that do not require a vapor tight seal. It can be used on fiberglass and steel tanks.

Model 330



The Model 330-L has an oblong base and cover with a long basin that serves as a self-contained shelf. This hatch was specifically designed to meet the demand for a lightweight and inexpensive long pan thief hatch.

Model 330-L



Valve Setting Range

Model	Bolt Pattern	Pressure	Vacuum
Model 330	10-3/8" Circle API	4, 6, 8, 12, 16, and 24 oz.	0.4, 0.9 and 3.5 oz.
Model 330-L	10-3/8" Circle API	4, 6, 8, 12, 16, and 24 oz.	0.4, 0.9 and 3.5 oz.

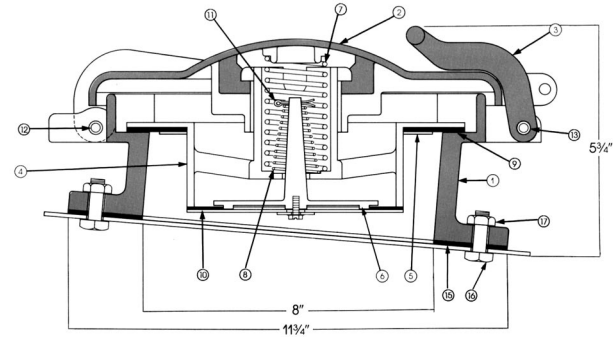
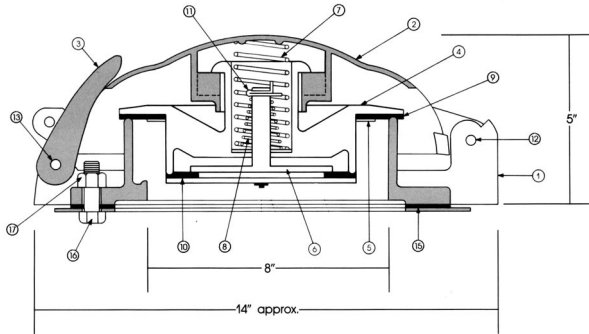
Materials of Construction

Model	Construction	Optional Equipment	Shipping Weight
Model 330	Aluminum castings	Bolt & Gasket Set, Base Gasket Only, Special Gaskets, Non-Corrosive Coating	15 lbs. (approx.)
Model 330-L	Aluminum castings	Base Gasket, Non-Corrosive Coating, Bolt & Gasket Kit, Special Gaskets	21 lbs. (approx.)



ENARDO Hatches

Model 330 and 330 -L Thief Hatches



MODEL 330

Ref.	Part No.	Part Name	Material	Quan.
1	331	Base	Cast Aluminum	1
2	333	Cover	Cast Aluminum	1
3	33	Latch	Cast Aluminum	1
4	32	Center	Cast Aluminum	1
5	322	Pressure Ring	Included in Part No. 32	1
6	64-F	Vacuum Disc	Cast Aluminum	1
7	PS-4	Pressure Spring	Plated	1
8	VS-1/2	Vacuum Spring	Plated	1
9	32-G	Pressure Gasket	Buna N	1
10	74-G	Vacuum Gasket	Buna N	1
11	347	Cotter Key	Plated	1
12	5-K	Hinge Pin	Plated	1
13	5-C	Latch Pin	Plated	1
14	HPC-148	Hinge Pin Clips	Plated	4
15	110-BG	Base Gasket	Tank Packing	1
16	1/2 x 13 x 11/2	Bolt, Hex	Plated	16
17	1/2x 13	Nut, Hex	Plated	16

MODEL 330-L

Ref.	Part No.	Part Name	Material	Quan.
1	331-L	Base	Cast Aluminum	1
2	333-L	Cover	Cast Aluminum	1
3	303	Latch	Cast Aluminum	1
4	32	Center	Cast Aluminum	1
5	322	Pressure Ring	Aluminum	1
6	64-F	Vacuum Disc	Cast Aluminum	1
7	PS-4	Pressure Spring	Plated	1
8	VS-1/2	Vacuum Spring	Plated	1
9	32-G	Pressure Gasket	Buna N	1
10	74-G	Vacuum Gasket	Buna N	1
11	347	Cotter Key	Plated	1
12	5	Hinge Pin	Plated	1
13	5-C	Latch Pin	Plated	1
14	HPC-148	Hinge Pin Clips	Plated	4
15	110-BG	Base Gasket	Tank Packing	1
16	1/2 x 13 x 1 1/2	Bolt, Hex	Plated	16
17	1/2X 13	Nut, Hex	Plated	16