



Vent Stack Flame Arrestor Series 8800 and 9900

Enardo Vent Stack Flame Arrestors are designed to allow free venting in combination with flame protection for vertical vent applications. They prevent flame propagation by absorbing and dissipating heat using spiral wound crimped ribbon flame cells. These cells allow maximum flow with maximum protection. The Vent Stack Flame Arrestor is used to stop the propagation of confined and unconfined low pressure deflagrations. It prevents an ignited atmospheric vapor cloud from propagating beyond the Flame Arrestor into the vent line or tank.

This type product is installed at the top of an atmospheric vent line or storage tank. They are typically used for the end-of-line applications when the system operating pressure is near atmospheric levels and when there is minimal probability of a flame stabilizing on the Flame Arrestor element for an extended period.

Vent Stack Flame Arrestors allow free venting and flame protection for vertical vent applications. Designed with threaded NPT connections, this Arrestor allows removal of the flame cell element without the removal of the venting assembly. Standard housing construction is aluminum, carbon steel, and stainless steel. The element is available in aluminum or stainless steel.



Series 8800 Aluminum



Series 9900 Steel

Features and Benefits

Enardo's large crimp opening provide:

- Maximum flow
- Less pressure Drop
- Easy Cleaning
- Less Clogging
- Less Maintenance
- Single Element Design.
- Readily accessible and removable flame cell for easy inspection and service.
- Flanged design available in ANSI, DIN and JIS flanges.

Flame Arrestor Specifications

Model	Sizes Available
Model 8800 Vent Stack Flame Arrestor Model 9900 Vent Stack Flame Arrestor	1/2" (13 mm) through 6" (150 mm) nominal pipe size

Materials of Construction

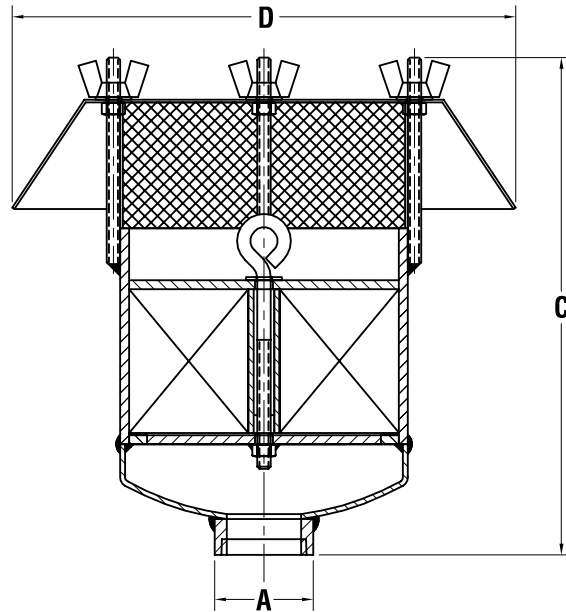
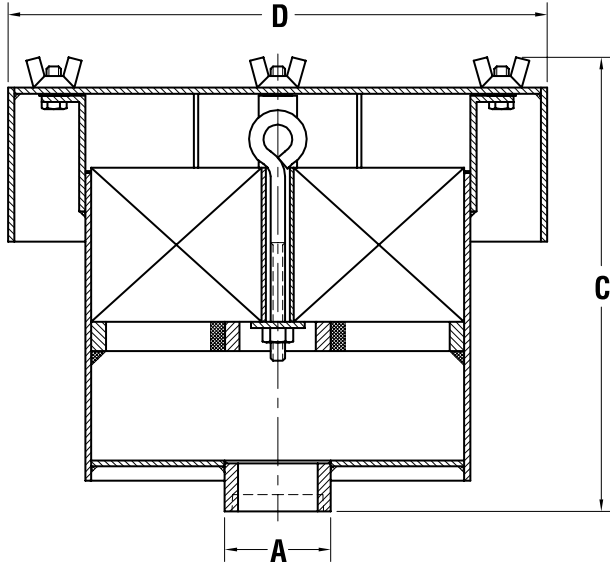
Housing	Cell	Gas Group
Aluminum Carbon Steel 304 SS 316 SS Hastelloy	Aluminum 304 SS 316 SS Hastelloy	IIA (D)



ENARDO

Flame Arrestors

Vent Stack Flame Arrestors Series 8800 and 9900



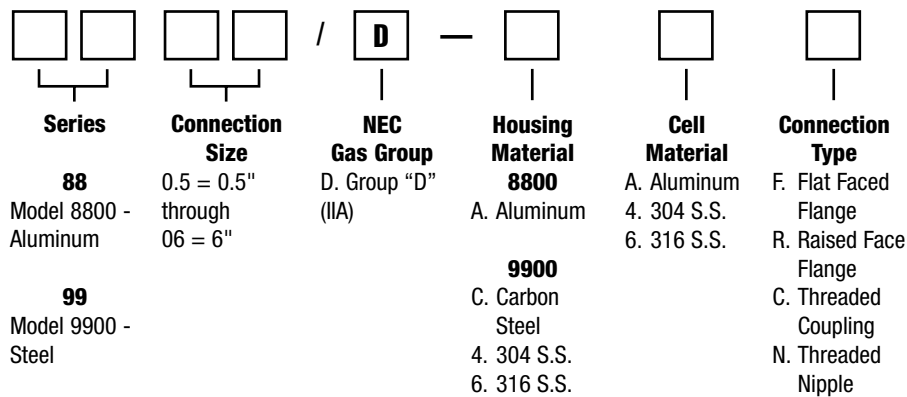
Series 8800 Aluminum Dimensions

Model	A Connection Size In. (mm)	C Overall Height In. (mm)	D Outside Dia. In. (mm)
8802	2 (50)	14-3/8 (365)	14 (356)
8803	3 (75)	14-3/8 (365)	14 (356)
8804	4 (100)	14-3/8 (365)	14 (356)
8806	6 (150)	14-3/8 (365)	16 (406)

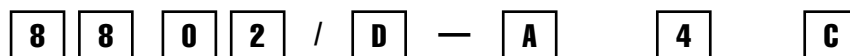
Series 9900 Steel Dimensions

Model	A Connection Size In. (mm)	C Overall Height In. (mm)	D Outside Dia. In. (mm)
9902	2 (50)	14-3/8 (365)	14 (356)
9903	3 (75)	14-3/8 (365)	14 (356)
9904	4 (100)	14-3/8 (365)	14 (356)
9906	6 (150)	14-3/8 (365)	16 (406)

Key to Enardo Series 7 Flame Arrestor Model Number



Example:



Indicates a 8800 Series Vent flame Arrestor with an aluminum housing, a 2" threaded coupling and 304 stainless steel NEC Group "D" flame cell element.