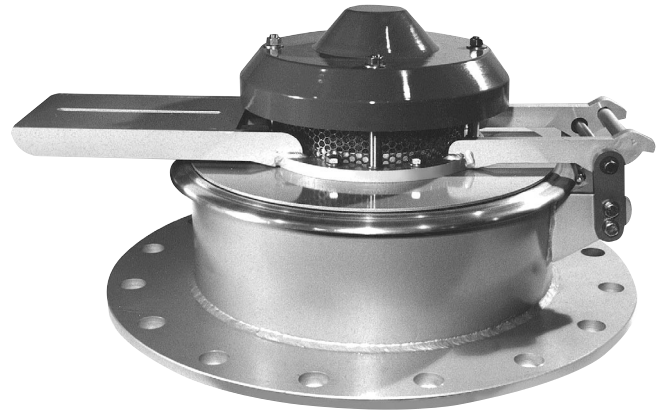




Emergency Relief Vent Model 2500

The Series 2500 is designed to provide an emergency pressure relief opening for storage tanks when exposed to over pressures that are not handled by standard tank vents. These vents provide the capacity to meet API standard 2000 for emergency venting due to fire exposure when properly sized and provides high capacity vacuum flow for emergency pump-out of product. These covers also provide quick easy access for tank inspection and maintenance.

When excessive pressure builds within the storage tank the Series 2500 Emergency Pressure Relief Vent's hinged cover begins to open at the predetermined set pressure, relieving excess pressure. When the over pressure has dissipated the cover reseats onto the base. The hinge mechanism prevents misalignment and provides an accurate reseal. When excessive vacuum builds within the storage tank the spring loaded pallet lifts, breaking the seal between the seat and pallet, allowing air to pass through the valve orifice relieving the vacuum buildup. The vacuum valve reseals upon relief and remains sealed.



Features and Benefits

- Advanced seal technology exceeds the most stringent of industrial standards for allowable leakage (1 scfh @ 90% set point) and provides excellent set point accuracy (+/-3%).
- Every Series 2500 vent is factory inspected and leak checked and certified.
- Corrosion resistant coatings are available for even the most corrosive of applications.
- Certified flow capacity curves are available for the full product size range.
- Available in API, ANSI, DIN and JIS flanges.

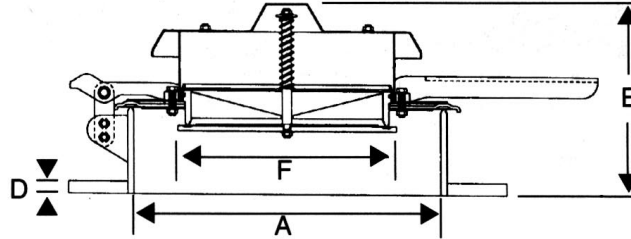
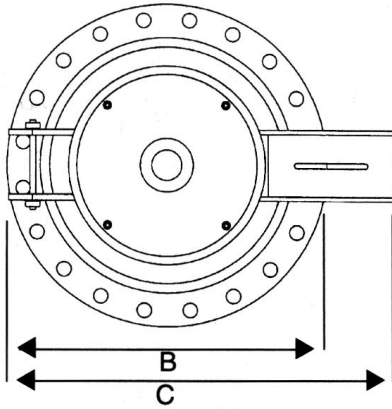
Vent Setting Range

Model Numbers	Sizes Available mm (In.)	Pressure	Vacuum
Series 2500	ANSI 400 (16), 500 (20), 600 (24) API 500 (20), 600 (24)	4.0 to 16.0 oz/in ² (0.5 Increments) 7.0 to 27.0 inH ₂ O (0.5 Increments) (16.0 to 138.0 mbar - 2.2 mbar Increments)	0.5, 0.75, 1.0 & 2.0 oz/sq. in.

Materials of Construction

Bas, Arm & Hood	Disk & Seal Support	Seal	Vacuum Spring	Vacuum Pallet	Vacuum Seat
Carbon Steel 304 S.S. 316 S.S.	Aluminum 316 S.S.	FEP Teflon Viton Buna-N	302 S.S.	PPS 316 S.S.	PPS 316 S.S.

Emergency Relief Vent Model 2500



Selection Guide to Enardo Pressure Relief Vent Series 2000

Model	A Size in. (mm)	B1 ANSI Flange O.D. in. (mm)	B2 API Flange O.D. in. (mm)	C Overall Length in. (mm)	D Flange Thickness in. (mm)	E Height in. (mm)	F Vacuum Port in. (mm)	C.S. Unit Weight* Lb. (kg)	S.S. Unit Weight* Lb. (kg)
2516	16 (400)	23-1/2 (597)	NA	26-1/2 (673)	1/2 (13)	12-1/2 (318)	6-3/8 (162)	90 (41)	100 (45)
2520	20 (500)	27-1/2 (699)	26 (660)	33-1/2 (851)	3/4 (19)	13-1/2 (343)	12 (305)	135 (61)	145 (66)
2524	24 (600)	32 (813)	30 (762)	36-1/4 (921)	1 (25)	13-1/2 (343)	12 (305)	195 (88)	210 (95)

*Unit weights indicate Net Weight of valve at standard set pressure (2.0 oz/sq.in. pressure), does not include shipping crate or box. Add 20% for gross shipping weight (Domestic Only). Pressure settings above the standard will increase total unit weight - consult factory for more information.

Key to Enardo Emergency Relief Vent Valve Model Number

Series	Connection Size	Base, Arm & Hood	Disk & Seal Support	Vacuum Pallet & Seat	Gasket Seal	Bolt Pattern	Pressure Settings	Vacuum Settings	Options
2	5	16", 20", 24"	1. Carbon Steel 2. 304 Stainless Steel 3. 316 Stainless Steel 4. Exotic	1. Aluminum 2. 316 Stainless Steel 3. Exotic	1. Polyphenylene Sulfide 2. 316 Stainless Steel 3. Exotic	T. Teflon N. Buna-N V. Viton X. Special	1. ANSI 2. API	n - inH ₂ O z - oz/sq.in. 4.0 oz/sq.in. to 16.0 oz/sq.in. (1.0 oz/sq.in. increments) 7.0 inH ₂ O to 27.0 inH ₂ O (0.5 inH ₂ O increments)	1. Special Coating 2. Optional Hardware 3. Other

Example:

2 5 1 6 - 1 2 1 T - 2 - 7 8 / .5 - 1

Indicates a 16" Emergency Pressure Relief Vent with Vacuum, carbon steel base, arm and hood, 316 stainless steel disk and seal support, polyphenylene (PPS) vacuum pallet and seat, teflon pressure and vacuum seals, API 650 flange bolt pattern with 8 oz/sq.in. pressure setting and 0.5 oz/sq.in. vacuum setting. Option includes special coating.