



Model 2049 Manifold
Shown with
Model 1049 Secure-Gard & Model 1078 Vacu-Gard
All Patented Products

Model 2049 PV-Gard® Tank Manifold

OBJECTIVE

Normally, an installation of this type requires three to four different nozzles: one per piece of equipment and sensing ports. The Model 2049 manifold is designed to allow a very compact installation of a blanketing valve and vent valve on one single tank nozzle.

TECHNIQUE

The 2049 is designed so that the blanketing gas flows into the vapor space of the tank without affecting the normal operation of the vent valve.

BENEFITS

- Single Tank Nozzle Required
- Ease of Installation & Maintenance

GENERAL SPECIFICATIONS

Tank Nozzle Connections

2", 3", 4", 6", 8", 10", 12" 150# RF flanges

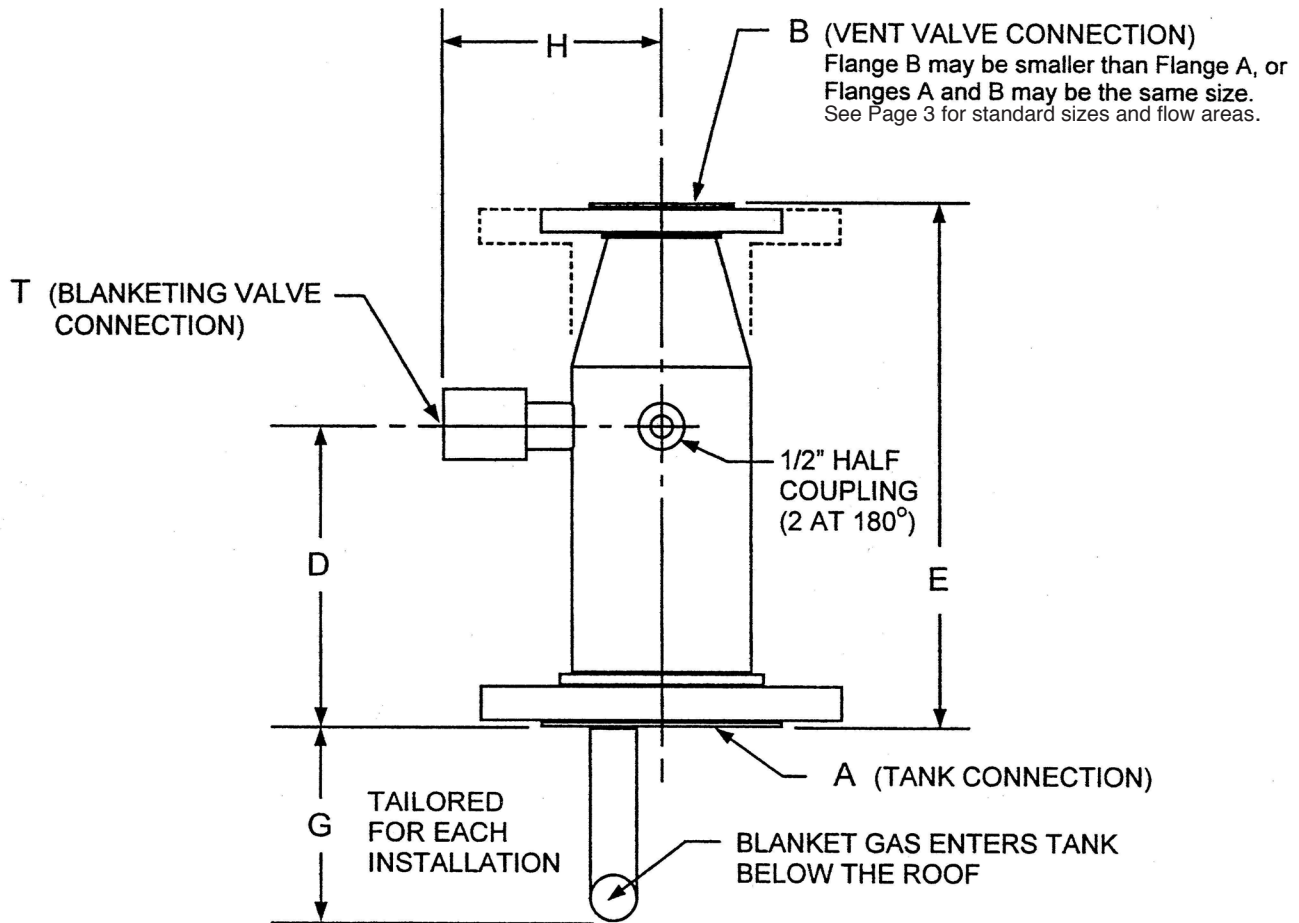
Blanketing Connections

1/2" and 1" FNPT (screwed)
1/2", 1", and 2" 150# RF flanges.

Venting Connections

2", 3", 4", 6", 8", 10", 12" 150# RF flanges

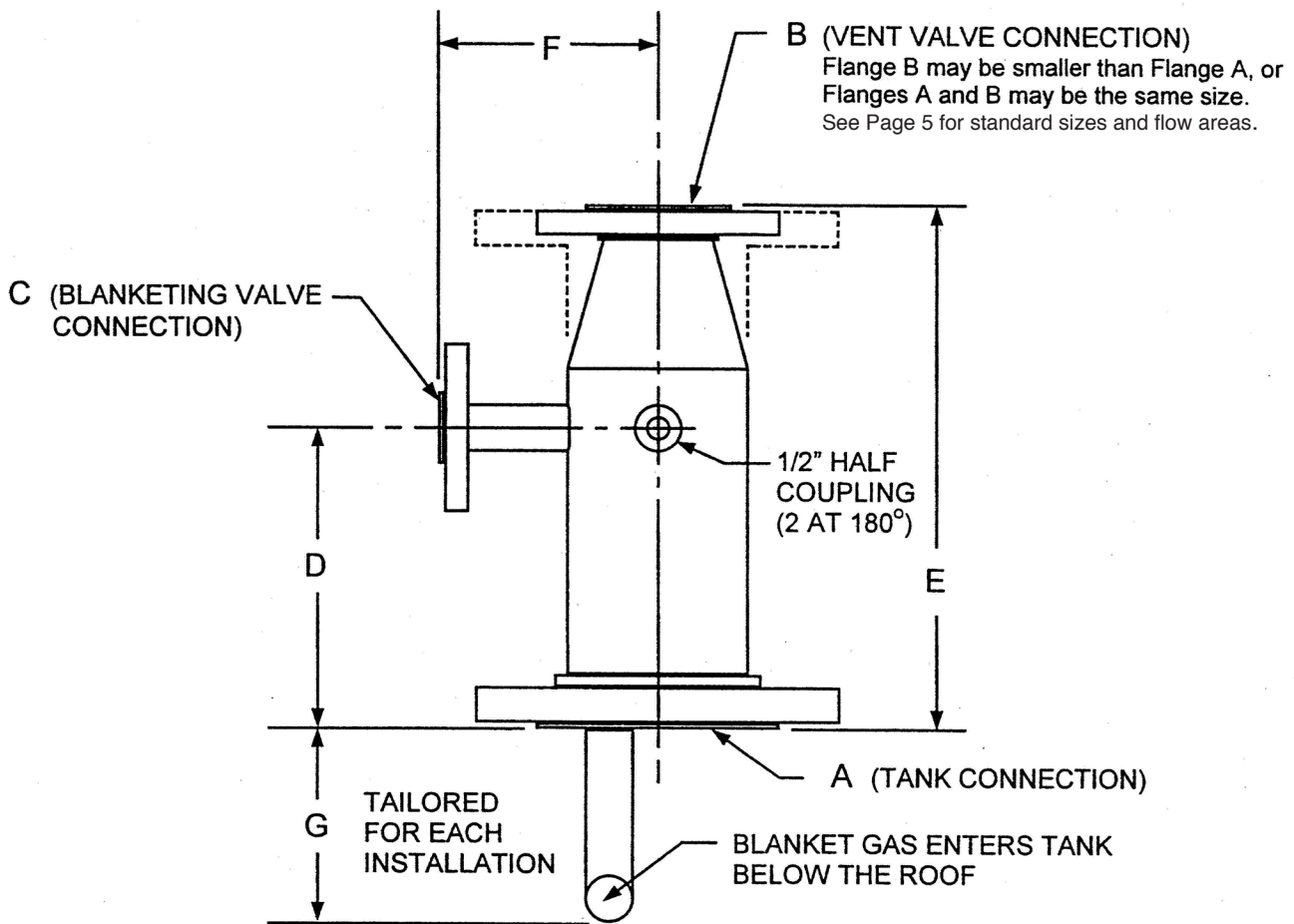
**MODEL 2049T MANIFOLD
FEMALE PIPE THREAD SIDE CONNECTION
(PATENTED)**



- All flanges are 150#. When ordering, please specify raised face or flat face for flanges A and B.
- T connection is always FNPT for the Model 2049T.
- All piping is standard weight.
- Specify length of probe G when ordering. It should be approximately 6 inches below the roof of the tank, not below flange A.

MODEL 2049T MANIFOLD DIMENSIONS					
Size (AXBXC)	"B" Flange Flow Area (SQ. In)	D (+/- 0.25")	E (+/- 0.25")	H (+/- 0.25")	Est. Wt. (lbs)
2"x2"x1/2"	2.32	6.00	12.00	2.84	18
3"x 2"x1"	3.35	8.00	13.62	3.93	29
3"x3"x1"	4.88	8.00	16.00	3.93	34
4"x 2"x1"	3.35	8.00	14.25	4.43	36
4"x 3"x1"	7.39	8.00	14.38	4.43	41
4"x4"x1"	10.22	8.00	16.00	4.43	46
6"x 2"x1"	3.35	8.00	15.62	5.50	51
6"x 3"x1"	7.39	8.00	15.75	5.50	56
6"x 4"x1"	12.72	8.00	15.87	5.50	60
6"x6"x1"	26.37	8.00	16.00	5.50	67
8"x 3"x1"	7.39	8.00	16.25	6.50	77
8"x 4"x1"	12.72	8.00	16.38	6.50	81
8"x 6"x1"	28.87	8.00	16.62	6.50	87
8"x8"x1"	47.50	8.00	16.00	6.50	100
10"x 4"x1"	12.72	8.00	17.37	7.56	111
10"x 6"x1"	28.87	8.00	17.62	7.56	117
10"x 8"x1"	50.00	8.00	17.87	7.56	128
10"x10"x1"	76.31	8.00	16.00	7.56	139
12"x 6"x1"	28.87	8.00	18.62	8.56	154
12"x 8"x1"	50.00	8.00	18.87	8.56	166
12"x 10"x1"	78.81	8.00	19.00	8.56	180
12"x12"x1"	109.37	8.00	16.00	8.56	195

MODEL 2049F MANIFOLD
 FLANGED SIDE CONNECTION
 (PATENTED)



- All flanges are 150#. When ordering, please specify raised face or flat face for flanges A and B.
- Flange C is always raised face for the Model 2049F.
- All piping is standard weight.
- Specify length of probe G when ordering. It should be approximately 6 inches below the roof of the tank, not below flange A.

MODEL 2049F MANIFOLD DIMENSIONS					
Size (AXBXC)	"B" Flange Flow Area (SQ. In)	D (+/- 0.25")	E (+/- 0.25")	F (+/- 0.25")	Est. Wt. (lbs)
2"x2"x1/2"	2.32	6.00	12.00	3.75	18
3"x 2"x1"	3.35	8.00	13.62	4.87	29
3"x3"x1"	4.88	8.00	16.00	4.87	34
4"x 2"x1"	3.35	8.00	14.25	5.37	36
4"x 3"x1"	7.39	8.00	14.38	5.37	41
4"x4"x1"	10.22	8.00	16.00	5.37	46
6"x 2"x1"	3.35	8.00	15.62	6.44	51
6"x 3"x1"	7.39	8.00	15.75	6.44	56
6"x 4"x1"	12.72	8.00	15.87	6.44	60
6"x6"x1"	26.37	8.00	16.00	6.44	67
8"x 3"x1"	7.39	8.00	16.25	7.44	77
8"x 4"x1"	12.72	8.00	16.38	7.44	81
8"x 6"x1"	28.87	8.00	16.62	7.44	87
8"x8"x1"	47.50	8.00	16.00	7.44	100
10"x 4"x1"	12.72	8.00	17.37	8.50	111
10"x 6"x1"	28.87	8.00	17.62	8.50	117
10"x 8"x1"	50.00	8.00	17.87	8.50	128
10"x10"x1"	76.31	8.00	16.00	8.50	139
12"x 6"x1"	28.87	8.00	18.62	9.50	154
12"x 8"x1"	50.00	8.00	18.87	9.50	166
12"x 10"x1"	78.81	8.00	19.00	9.50	180
12"x12"x1"	109.37	8.00	16.00	9.50	195
8"x 4"x2"	12.72	15.00	24.87	9.00	115
8"x 6"x2"	28.87	15.00	25.12	9.00	121
8"x8"x2"	42.17	15.00	30.00	9.00	146
10"x 4"x2"	12.72	15.00	25.87	10.00	153
10"x 6"x2"	28.87	15.00	26.12	10.00	159
10"x 8"x2"	50.00	15.00	26.37	10.00	170
10"x10"x2"	70.98	15.00	30.00	10.00	200
12"x 6"x2"	28.87	15.00	27.12	11.00	202
12"x 8"x2"	50.00	15.00	27.37	11.00	214
12"x 10"x2"	78.81	15.00	27.50	11.00	228
12"x12"x2"	104.04	15.00	30.00	11.00	265

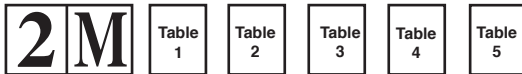


TABLE 1 - BODY MATERIAL	
Outlet	CODE
Carbon Steel	C
316 Stainless Steel	S

TABLE 2 - TANK CONNECTION	
Connection	CODE
2" - 150# RF Flange	A
3" - 150# RF Flange	B
4" - 150# RF Flange	C
6" - 150# RF Flange	D
8" - 150# RF Flange	E
10" - 150# RF Flange	F
12" - 150# RF Flange	G

TABLE 3 - VENT CONNECTION	
Connection	CODE
2" - 150# RF Flange	A
3" - 150# RF Flange	B
4" - 150# RF Flange	C
6" - 150# RF Flange	D
8" - 150# RF Flange	E
10" - 150# RF Flange	F
12" - 150# RF Flange	G

TABLE 4 - BLANKET CONNECTION	
Connection	CODE
1/2" - 150# RF Flange	A
1" - 150# RF Flange	B
2" - 150# RF Flange	C
1/2" - NPT	X
1" - NPT	1
2" - NPT	2

TABLE 5 - PROBE LENGTH	
Length	CODE
12"	D
14"	E
16"	F
18"	G
20"	H
22"	J
24"	K
Other lengths available. Please consult factory.	